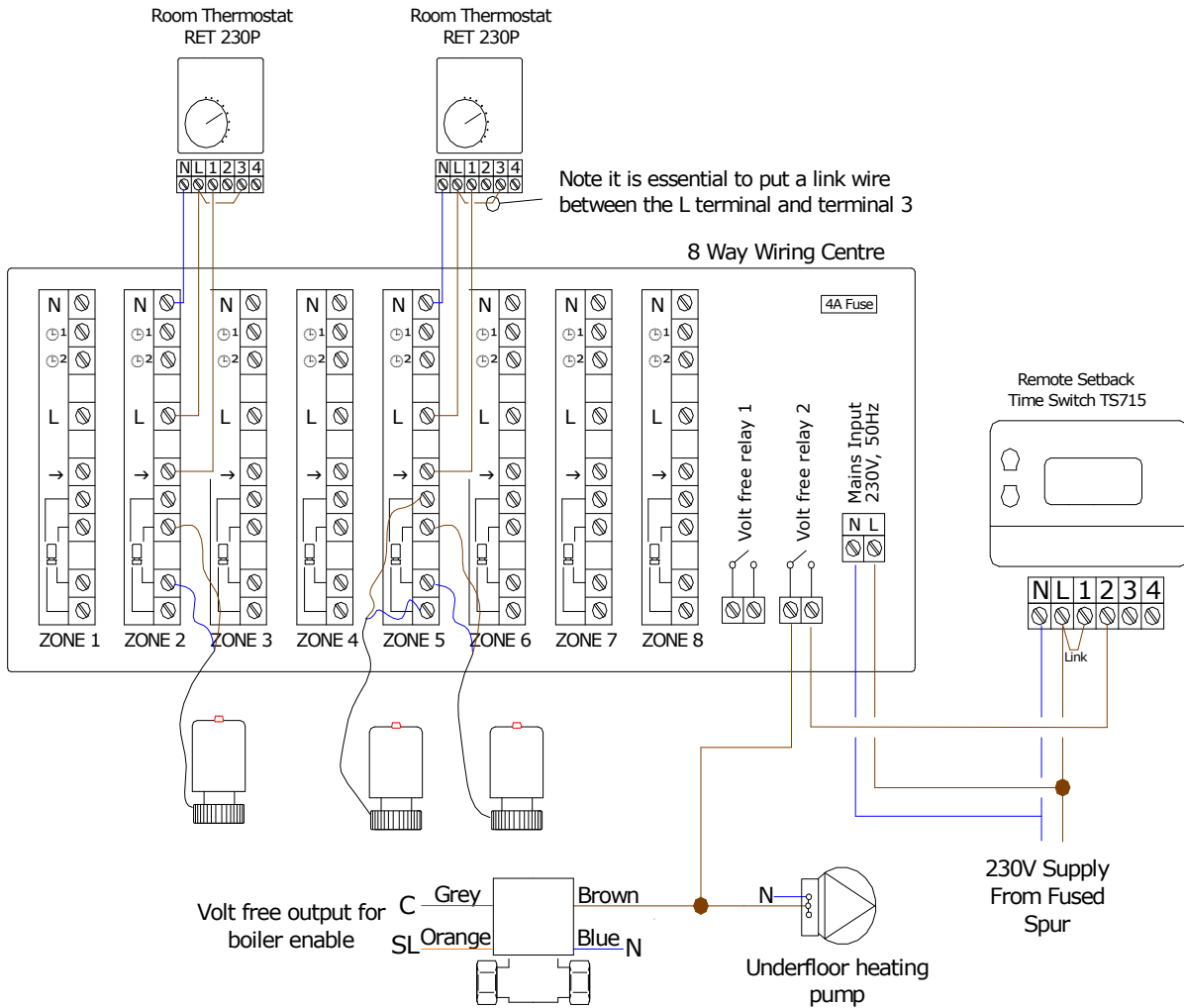


Document Title: Multi Room Wiring Schematic



Wiring

All wiring is to be in compliance with IEE and local regulations and must be carried out by a qualified person.